

2

1

Specifications

Gate Length	L	W	H	Weight
14 Feet	198 7/8	36 5/8	93 3/4	1528 lbs
16 Feet	222 7/8	36 5/8	93 3/4	1627 lbs
18 Feet	246 7/8	36 5/8	93 3/4	1725 lbs
20 Feet	270 7/8	36 5/8	93 3/4	1824 lbs



Mechanical Design Inc.
 30805 Hwy. 34 SW Albany, OR. 97321
 (541)791-2028

TITLE:
Multi-lock

DWG NO:
Forest Sentry
800

SCALE: 1 / 64

DATE: 5/2/2023

REV:

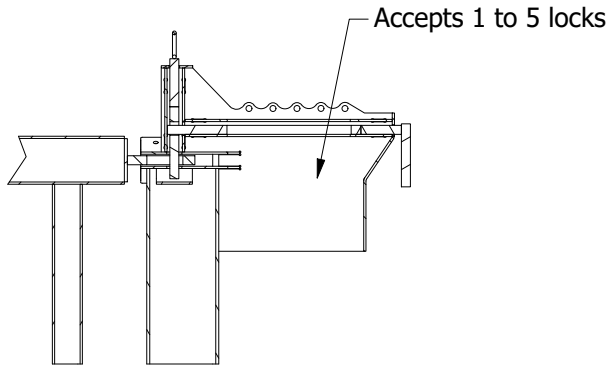
SHEET: 1 of 1

B

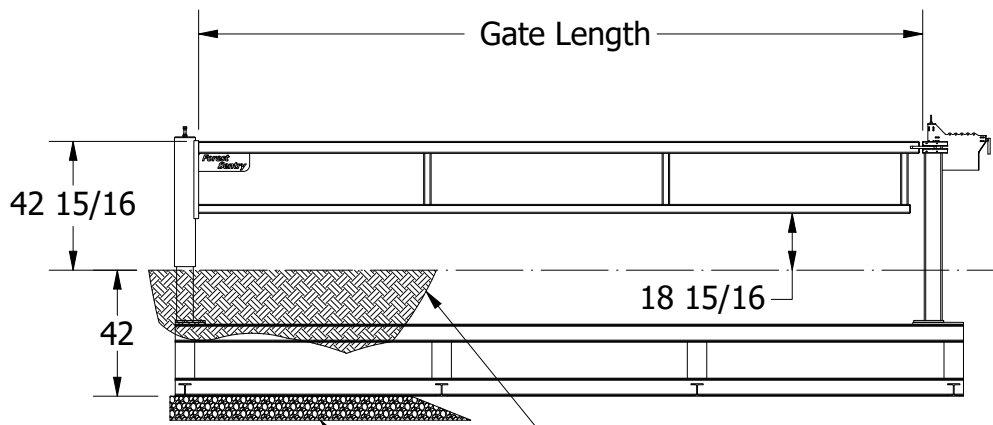
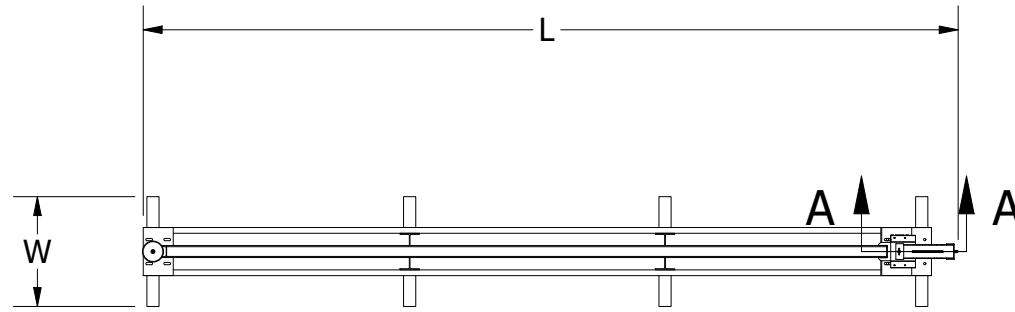
B

A

A



Multi-Lockbox
 SECTION A-A
 SCALE 1 / 16



2

1

1